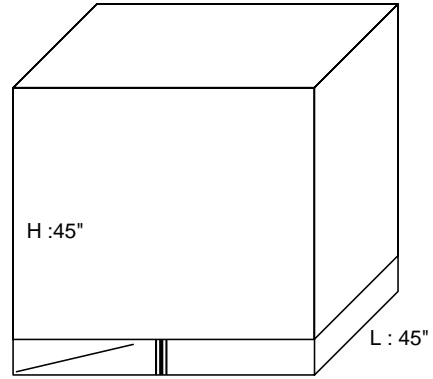


META CUP HC PACKING DETAILS

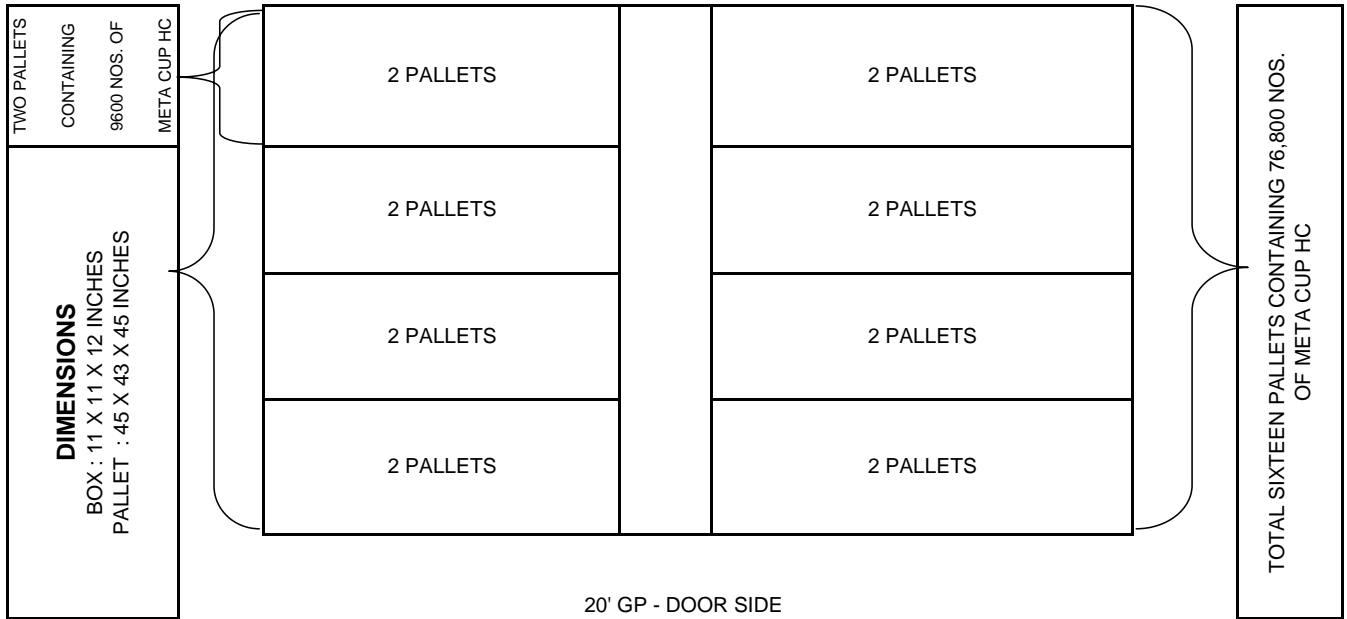
Ajay Syscon Private Limited
(A Joint Venture with Syscon International Inc. U.S.A.)
 Survey No. 147/1&2, Shembekar Industrial Compound
 Chinchwad, Pune - 411 019, India
 Tel. No. +91 20 2543 9682 / 2543 9683
 Fax No. +91 20 2543 9681
 E-mail : steel@metachem.in Website : www.metachem.in



1	2	3	4			
5	6	7	8			
9	10	11	12			
13	14	15	16			
16	X	3	48	X	100	4800
BOX		LAYER	BOXES / PALLET		NOS / BOX	NOS / PALLET



B : 43"
 L : 45"
 LXBXH : 45 X 43 X 45 INCHES



DIMENSIONS

BOX : 11 X 11 X 12 INCHES
 PALLET : 45 X 43 X 45 INCHES